



PUC-007



IMPORTANT SAFETY INSTRUCTIONS

- . Review all instructions before assembling the cart.
- . Improper assembly can cause personal injury and/or property damage.
- . Do not overload cart. See specifications for load capacity (distributed evenly).
- . Do not step into or on the cart, or use it as a toy.

Specifications

Model number	PUC-007
Load capacity	550 lbs. (250 kg)
Upper platform size (LxW)	84*48.5*14.5cm
Upper platform height from floor	74.5cm
Caster size (OD x W)	5inch
Overall dimensions (LxWxH)	103*45*85cm
Net weight, approx.	19.5kg
Shipping weight, approx.	21kg

Assembly

Tools required: cross-point screwdriver, and rubber or wood mallet.

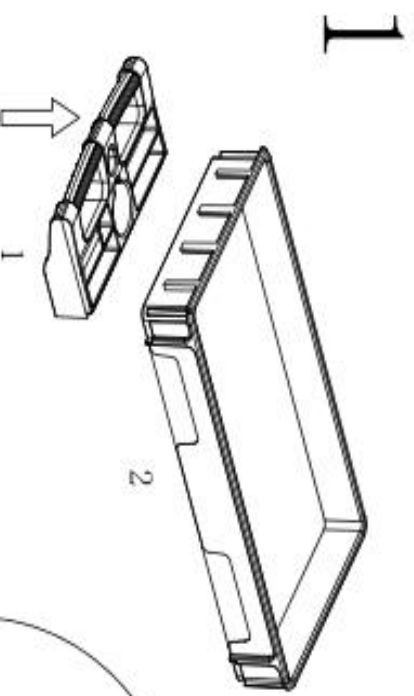
Use the mallet to tap down the parts to ensure they are seated properly before fastening them with screws.

1. Turn upper platform upright(#2-1) and install handle (#1).
2. Turn upper platform assembly upside down, and install legs (two left and two right, #4 and #5)
3. Install middle platform(#2-2) and lower platform (#3) and casters (#6,#7).

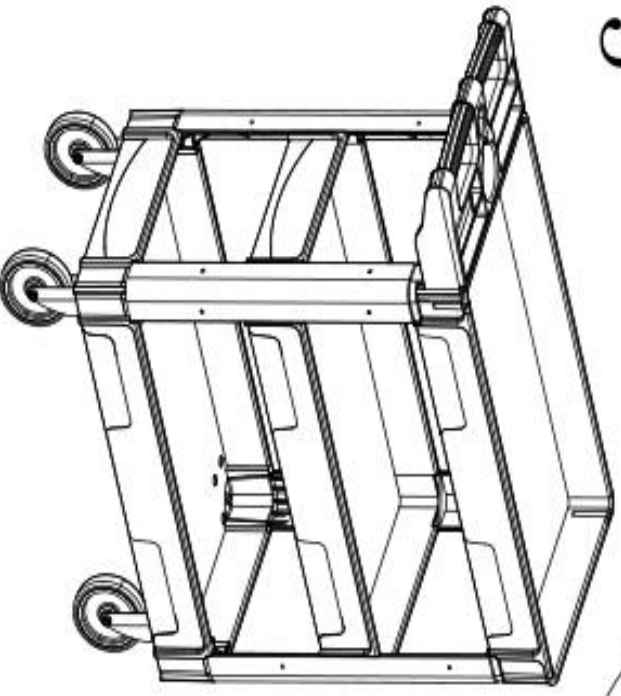
Tighten all screws and hex nuts. (#8, #9, #10)

Parts Breakdown

Index No.	Description	Qty.
1	Handle	1
2-1	Upper Platform	1
2-2	Middle Platform	1
3	Lower Platform	1
4	Left Leg	2
5	Right Leg	2
6	Universal Caster Assembly Ø5 in	2
7	Fixed Caster Assembly Ø5 in	2
8	Tapping Screw M6x30mm	12
9	Screw Bolt M8x42mm	16
10	Hex Nut M8	16
11	Wrench	1



3



2

