



PUC-001L

Assembly Instructions

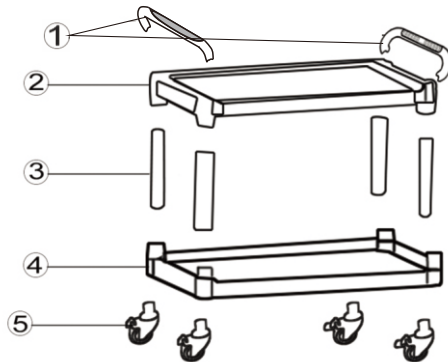
Remarks

Before assembly

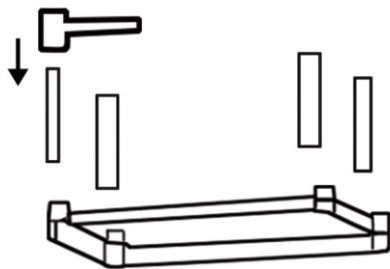
1. Please read these instructions carefully.
2. You will need a rubber hammer

Components

1. Handle 2pcs
2. Top shelf 1pcs
3. Aluminium rod 4pcs
4. Bottom shelf 1pcs
5. Castor 4pcs

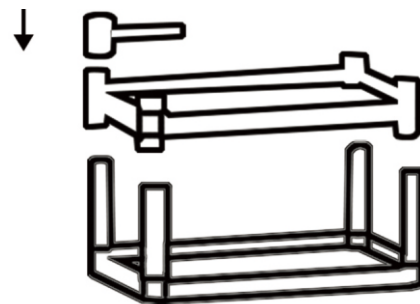


Assemble 4 PCS aluminium rod above bottom shelf



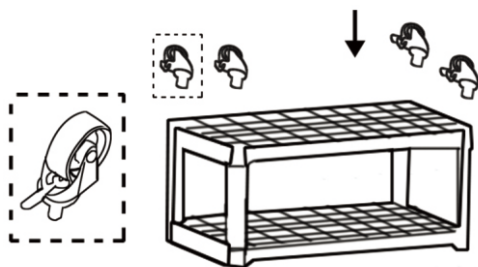
1

Assemble top shelf onto aluminium rods



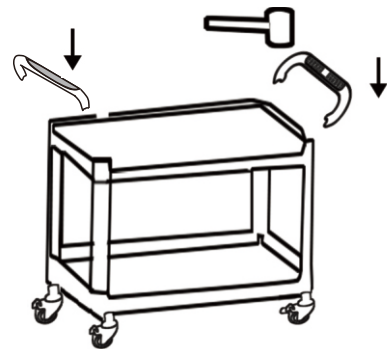
2

Use spanner to screw 4pcs wheel to the bottom shelves
***Please twisted tight in order to prolong the service life



3

Turn over the cart and plug in the handle



4

Assembly completed



5